



Document: RE.99.1PoE Date: 6-November-2015 Version 1.4 - LoRa

Single Port PoE injector 48V

The RE.99.1POE is a single port IEEE 802.3af compliant power injector that runs entirely on standard 48V DC, as commonly found on remote telecom sites. The power injector gives you a quick, safe, and economical way to add PoE to existing non-PoE network links. Simply run your Ethernet line through the injector to power remote LoRa Base stations, VoIP phones, surveillance cameras, wireless access points, and other PoE equipment.

The RE.99.1POE provides a complete solution for detection and powering of Ethernet devices in an IEEE 802.3af compliant system. The PoE port will detect, classify, and provide isolated 48V power to an Ethernet device connected to the port. The RE.99.1POE senses removal of a device with IEEE 802.3af compliant AC or DC methods and turns off 48V power when the device is disconnected.

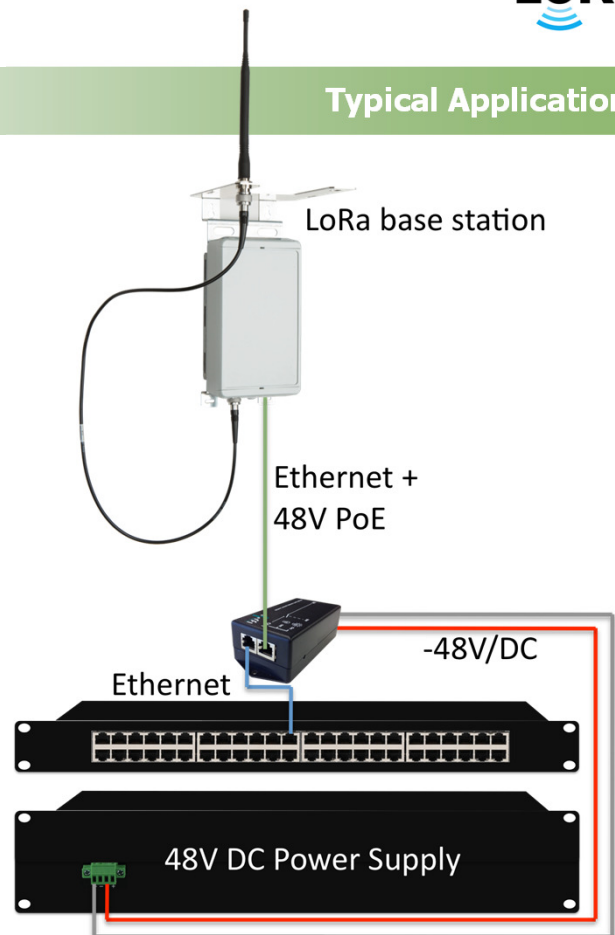
Features

- ✓ 1x Ethernet PoE port (2x RJ45 connector)
- ✓ 1x 48V power LED (blue)
- ✓ 1x Port status LED (green)
- ✓ IEEE 802.3af compliant signature detection
- ✓ 48V connection through terminal block
- ✓ Meets Safety Agency Requirements
- ✓ Complies With EMI/RFI Regulations
- ✓ CE, RoHS and WEEE Compliant
- ✓ Black, Flame retardant ABS plastic enclosure
- ✓ 3 Year Warranty



Typical Application

Power Requirements	
Power Connector	38VDC...56VDC, 20Watt max.
Plug-and-play installation; this midspan power supply automatically detects all devices with support for PoE and supplies inline power	
Environmental	
Operating Temperature	-10° to 40°C with no derating
Storage Temperature	-30° to +85°C
Relative Humidity	5% to 95% non-condensing
Cooling	Convectional - non vented case
Mechanical	
Case Dimensions	105.0L x 57.3W x 38.0H (mm) 4.134L x 2.256W x 1.495H (inches)



Semtech, the LoRa logo and LoRa® are registered trademarks of Semtech Corporation.